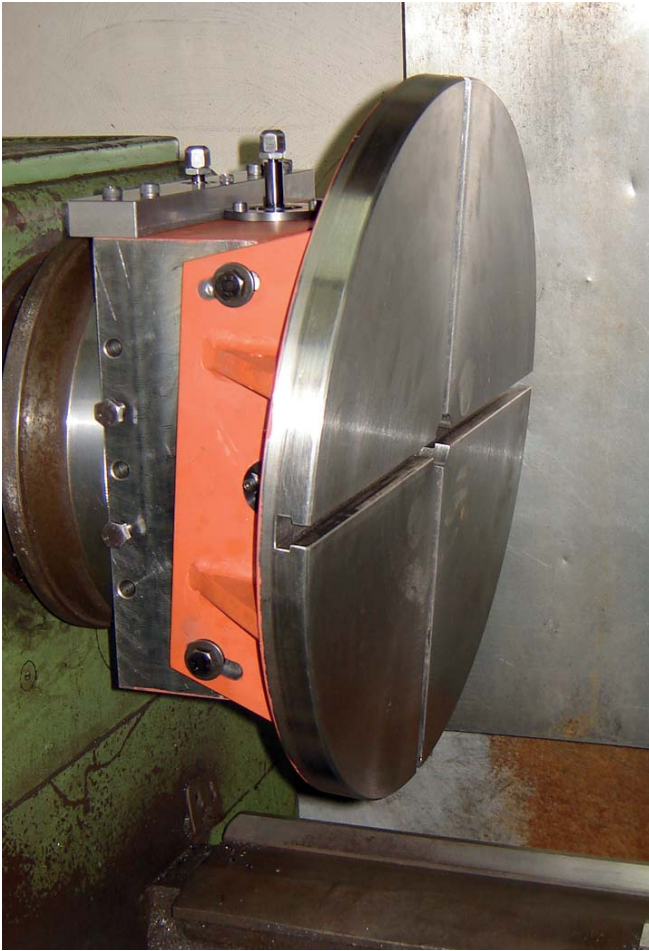


TILTING TABLE FOR LATHE MACHINE

■ unigrind SKD 500



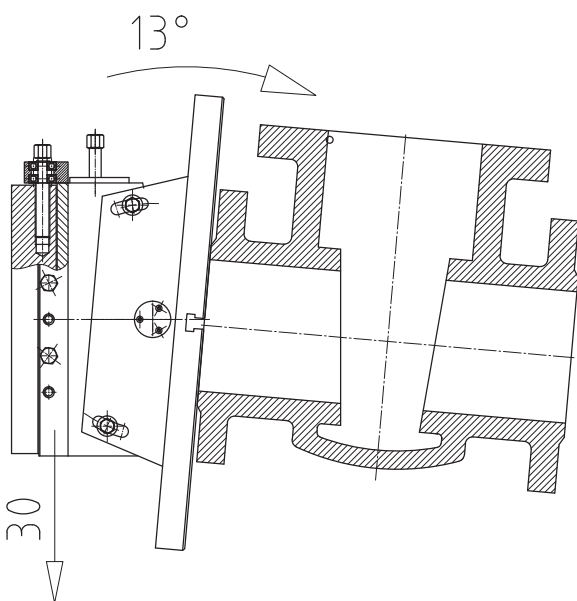
SKD 500:

Tilting table for precise alignment and machining of gate valve wedges and seat in gate valve bodies.

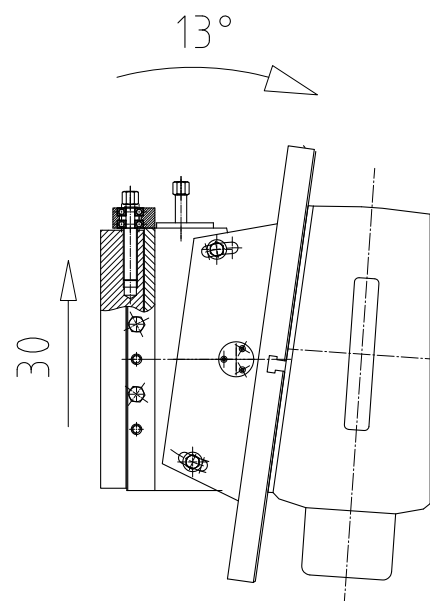
- Mounting flange or fixing on the lathe machine
- Table plate Ø 500 mm with 4 T-Slots,
- Angle infinitely adjustable 0 – 13°.
- Radial adjustment of seat surface to the machine centre max. 30 mm



Adjusting the tilting angle with digital measuring device



SKD 500 tilting table with gate valve body



SKD 500 tilting table with gate valve wedge